



Tennessee Walking Horse Breeder's and Exhibitor's Association
and

Tennessee Walking Horse Club Europe e.V.



European Championship 2026

11. - 13. September 2026

Wickrath castle in Mönchengladbach

REGISTRY CLOSES: 1. AUGUST 2026

Entry Form

Great to have you participating!

In the appendix to this form, you will find many important details about the European Championship, such as daily schedules, class descriptions, a site map, and a summary of key rules.

Please note that we are doing our best to ensure the smooth running of the European Championship.

If your horse is not a purebred or registered Tennessee Walker, or if you own a gaited horse of another breed, you are welcome to compete in the All-Day Pleasure and Versatility and Fun Classes, these are highlighted in yellow in the classlist.

On **Thursday, September 10**, there will be a clinic with the judge. This clinic is free for dual members.

On **Friday evening**, we are hosting a **membership meeting** in the bistro area — this is also open to our newly joined members. If you'd like to become a member, you can find membership applications at the registration desk.

On **Saturday evening**, there will be a **dinner** free for all participants. Further guests (registration required in advance and paid 25€) will be welcome, too.

We look forward to a joyful weekend together with old and new friends!

If you have any further questions, feel free to contact us at info@twhce.de or **+49 178 6407290 (Katrin Marg)**.

ENTRY FORM TO THE EUROPEAN CHAMPIONSHIP 2026

Participant's Name			
Participant's Adress			
Participant's Age			
TWHBEA Membership No.			
TWHCE Membership No.			
Cell Phone Number			
Email			
	Horse 1	Horse 2	Horse 3
Registered Name of Horse			
TWHBEA Registration No.			
Equine Passport Life Number			
Chip Number			
Name und Adress of Home Stable			
Sex			
Age			
Buffet Saturday Evening Participants are free Other Guests pay 25€. Please indicate the number of people in your Group.	<u>Meat</u>	<u>vegetarian</u>	
Clinic on Thursday Dualmember: 0 € TWHBEA or TWHCE member: 50 € Non member: 75 €			

Versatility Highpoint No fee. Start in one of each Rail-, Fun-/Speed-, Versatility- and Showmanship-classes are necessary			
Box Thurs.-Sun.: 175 € (Straw Bedding) Wend./Thurs. - Sun/Mon: 210 € (Straw) Schavings - 10 €/Bale (Please pre order) Paddock 50 € (Please bring your own fencing) Refundable Deposit: 20 € Stalls must be emptied and cleaned before departure. Paddocks must be complete cleaned before departure.			
Classes Entry Fee per Class: 10€/15€/20€* Championship-Classes 15€/20€/25€* * The class fees are staggered according to dual member / single member (TWHCE or TWHBEA) / non-member scheme. Late entry fees: 25 € per horse/rider combination add. 2 € on each class fee Fees for changes to entry: 2 € per class Children and Youth receive a 50% off on all Class Fees			

The deposit will be refunded upon departure after the stall or and paddock has been checked. The boxes are include are start bedded with straw or shavings. Hay is included.

Arrival is possible from Wednesday, September 9, 2026, from 6 p.m. - 8:30 p.m. The Barn will be locked at 9 pm each night.

Departure is no later than Monday, September 14, 2026 at 9:30 a.m.

We ask that you transfer all applicable fees by the registration deadline on **August 1, 2026**. If this does not happen, the registration is invalid and late additional entry fees of 25 € per horse/rider combination will apply.

Account holder: Tennessee Walking Horse Club Europe e.V.

IBAN: DE69 7656 0060 0000 1798 76 BIC: GENODEF1ANS

Raiffeisenbank Mittelfranken Mitte e.G.

Purpose: EC 2026 "Name rider" "Name horse"

Please register by email to ec@twhce.de

or by post to:

Tennessee Walking Horse Club Europe e.V.

Up´m Knapp 3

27389 Helvesiek - Germany

General terms and conditions of business

1. When registering, the equine passport and at least a copy of the TWHBEA papers must be presented.
2. When registering, you must bring your TWHBEA and TWHCE membership cards with you.
3. The participant assures that they have taken out animal liability insurance for the animals they bring with them, which includes damage to rented property. TWHCE e.V. is not liable for any personal injury, animal injury or property damage.
4. No vaccinations are required. By registering for the tournament, the participant assures that their horses are free of contagious diseases upon arrival.
5. The participant also assures that they have no signs or symptoms of COVID-19 or other seriously contagious diseases upon arrival.
6. The participants are to adhere to European animal welfare regulations.
7. Registration for the European Championships is considered binding. After a cancellation, there will not be an automatic refund of fees. If a certificate by a doctor or veterinarian is presented, a part of the entry fees may be refunded. There is a processing fee of €25 plus per horse/rider combination for refunds. Stall fees are non-refundable.
8. The participant is aware of his role as a role model for others and also of his role in representing the Tennessee Walking Horse as a breed and undertakes to behave accordingly.
9. The EM (public event) will be accompanied by photographs and videos. The resulting media is published. The participant is aware of this. In addition, if he wins, he will allow himself to be interviewed on video for social media.
10. The FN anti-doping and drug control rules for equestrian sports – ADMR – apply to the tournament.
11. The participant is aware that a veterinarian may be present at the event. If necessary, this person can examine horses for their health at random or on suspicion and, if necessary, also take a blood sample for doping control.
12. The set of rules published by the TWHCE is intended as a helpful translation. It may happen that rules have been updated in the meantime or that the judge decides at his own discretion.
13. Hooves may not be blackened in the barn aisle. In case of violation and resulting property damage, a €50 fine will be charged.

I hereby register for the European Championships on the 11th - 13th. September 2026 at Wickrath Castle in Mönchengladbach and I agree to the terms and conditions. Registration without a signature is invalid.

Place, Date, Signature, For minors, a parent or guardian's signature is also required.



**Tennessee Walking Horse Breeder's and Exhibitor's Association
and
Tennessee Walking Horse Club Europe e.V.**



European Championship
11. - 13. September 2026
Entry Deadline: 1. August 2026

Classlist (the yellow highlighted classes are open bread classes)

Friday 11. September 2026

Begin: 10 AM

Opening Flag Ceremony

1. Ladies – 2 Gait – English or Western
2. Trail Pleasure – 2 Gait – English
3. Country Pleasure – 2 Gait – English
4. Novice Rider – 2 Gait – English or Western
5. **All Day Pleasure – 2 Gait – English**
6. Young Horse – 5 and under – 2 Gait – English or Western
7. Equitation – 2 Gait – English
8. Novice Horse – 2 Gait – English or Western

1,5 Hour Lunch Break

9. Trail Pleasure – 3 Gait – English
10. Equitation – 3 Gait – English
11. Country Pleasure – 3 Gait – English
12. **All Day Pleasure – 3 Gait – English**

30 min break

13. **Dressage - TWHCE Intro Level Test B (Novice) (Pattern Attached)**
14. **Dressage - NWHA 1st Level Test 2 (Novice) (Pattern Attached)**
15. **Dressage - NWHA 2nd Level Test 1 (Open) (Pattern Attached)**
16. **Freestyle Dressage - (Modulpattern Attached)**

30 min break

17. **Obstacle Trail in Hand (Pattern Attached)**

Each horse-rider combination is only allowed to start in class 17 OR 18.

Friday - after the show - TWHCE Members Meeting

Saturday 12. September 2026

Begin: 9 AM

18. **Obstacle Trail (Pattern Attached)**

Each horse-rider combination is only allowed to start in class 17 OR 18.

15 min break

19. **Western Dressage WDAA Intro Level Test 3 (Pattern Attached)**

20. **Western Dressage WDAA Level 1 Test 2 (Pattern Attached)**

15 min break

21. **Reining TWHBEA Pattern #6 (Pattern Attached)**

22. **Pole Bending (Pattern Attached)**

23. **Barrel Race (Pattern Attached)**

1,5 Hour Lunch break

24. **Driving**

25. Gentlemen – 2 Gait – Western or English

26. Trail Pleasure – 2 Gait – Western

27. Country Pleasure – 2 Gait – Western

28. Stockseat Equitation – 3 Gait – Western

29. **Water Glas Show Down**

30. **All Day Pleasure – 2 Gait – Western**

31. Trail Pleasure – 3 Gait – Western

32. Stockseat Equitation – 2 Gait – Western

33. Country Pleasure – 3 Gait – Western

34. **All Day Pleasure – 3 Gait – Western**

35. **Youth Rider – 2 Gait English or Western**

15 minute break

36. **Bandana Race**

37. **Egg & Spoon Show Down**

38. **Toilet Paper Show Down**

39. **Ride a Buck**

30 minute break

40. **Costume Class**

Championship Dinner – BBQ Buffet

**Semi-Formal or Show Attire
Line Dance
Party**

Sunday 13. September 2026

Begin: 10 AM

41. Showmanship
42. Showmanship Youth
43. Halter Stallions & Geldings
44. Halter Mares
45. Halter 5 & Under
46. Halter Championship
47. Model Stallions & Geldings
48. Model Mares
49. Model 5 & Under
50. Model Championship

1,5 Hour break

51. Style Jumping #3 (Pattern Attached)
52. Joker Jumping

1 Hour break

53. Lead Line - 6 years and Under - English or Western
54. Elite Riders - 50+ - 2 Gait - English or Western
55. Trail Pleasure – 2 Gait – English or Western – Championship
56. Country Pleasure – 2 Gait – English or Western – Championship
57. All Day Pleasure – 2 Gait – English or Western – Championship
58. European Youth Rail Champion – 2 Gait – English or Western – Championship
59. Trail Pleasure – 3 Gait – English or Western – Championship
60. Country Pleasure – 3 Gait – English or Western – Championship
61. All Day Pleasure – 3 Gait – English or Western – Championship
62. European Rail Champion – 2 Gait – English or Western – Championship
63. European Rail Champion – 3 Gait – English or Western – Championship

Award Ceremony

All competitors and horses in the arena for the award ceremony.

- Group photo of all contestants in show clothing -

**European Youth, 2 Gait, 3 Gait, Versatility & Youth Versatility
Champion**

Round of honor with all grand champions

**2023 NWAH GAITED DRESSAGE INTRODUCTORY LEVEL
- TEST B**

REQUIREMENTS:
Free walk
Medium walk
Flat Walk 20
meter circle Halt
through walk

PURPOSE: To introduce the rider and/or horse to the sport of dressage, confirming that they are beginning to develop an understanding of correct dressage basics. The horse should be ridden freely forward in a steady tempo and clear rhythm, accepting contact with the bit. An understanding of test accuracy and geometry should be demonstrated.

NO.

TEST		DIRECTIVE IDEAS	POINTS	COEF	TOTAL	REMARKS
1.	A X	Enter flat walk. Halt through medium walk Salute - Proceed flat walk	Regularity, quality of flat walk; willing, calm transitions; straightness; attentiveness; immobility (min. 3 seconds)			
2.	C	Track left, flat walk	Regularity; bend and balance in turn and corner			
3.	E	Circle left 20 meters, flat walk	Regularity; shape and size of circle; bend; balance			
4.	Between K & A	Medium walk	Willing, calm transition; regularity, quality			
5.	F-E	Free walk	Regularity, reach, and ground cover with over track of free walk allowing complete freedom to stretch the neck forward and downward			
6.	E-H	Medium walk	Willing, calm transition; regularity, quality, overtrack			
7.	Between H & C	Flat walk	Willing, calm transition; regularity of flat walk; bend and balance in corner			
8.	B	Circle right 20 meters, flat walk	Regularity; shape and size of circle; bend; balance			
9.	A X	Down center line Halt through medium walk, Salute	Bend and balance in turn; straightness; regularity of flat walk; willing, calm transition; straightness; attentiveness; immobility (min. 3 seconds)			

Leave arena in free walk. Exit at A.

2023 NWAHA GAITED FIRST LEVEL TEST 2

PURPOSE

To confirm that the horse demonstrates correct basics, and in addition to the requirements of Training Level, has developed improved balance, lateral suppleness and throughness, as well as the thrust to perform lengthenings of strides. The horse should be on the bit.

INTRODUCE

ENTRY NO:

Leg yield;
Lengthen stride in canter

Conditions:

ARENA SIZE: Standard
AVERAGE RIDE TIME: 5:30
(from entry at A to final halt)
Suggested to add at least 2 min. for scheduling purposes

MAXIMUM PTS: 330

READER PLEASE NOTE: Anything in parentheses should not be read.

TEST		DIRECTIVES	POINTS	COEF	TOTAL	REMARKS
1.	A X	Enter flatwalk Halt, salute Proceed flat walk	Regularity and quality of flatwalk; willing, clear transitions; straightness; attentiveness; immobility (min. 3 seconds)			
2.	C M-V V	Track right Change rein, running walk Flat walk	Bend and balance in turns; moderate lengthening of frame and stride; regularity and quality of running walk; willing, clear transitions; straightness; consistent tempo			
3.	A L-M	Turn down centerline Leg yield right	Regularity and quality of flatwalk; straightness on centerline; consistent tempo; alignment; balance and flow	2		
4.	H-P P	Change rein, lengthen stride in running Flatwalk	Moderate lengthening of frame and stride; regularity and quality of running walk; willing, clear transitions; straightness; consistent tempo			
5.	A L-H	Turn down centerline Leg yield left	Regularity and quality flatwalk; straightness on centerline; consistent tempo; alignment; balance and flow	2		
6.	C	Medium walk	Willing, clear transition; regularity, quality, overtrack: bend and balance in corner	2		
7.	M-V V	Change rein, free walk Medium walk	Regularity and quality of walks; reach and ground cover with overtrack of free walk allowing complete freedom to stretch the neck forward and downward; straightness; willing, clear transitions	2		
8.	K A	Flatwalk Working canter left lead	Willing, clear transitions; regularity and quality of gaits; bend and balance in corners			
9.	P	Circle left 15m	Regularity and quality of canter; shape and size of circle; bend; balance			
10.	P-M	Lengthen stride in canter	Willing, clear transition; moderate lengthening of frame and stride; regularity and quality of canter; straightness; consistent tempo	2		
11.	Between M-C	Develop working canter	Willing, clear transition; regularity and quality of canter; bend and balance in corners			
12.	H-X-F X	Change rein Flat walk	Willing, clear transition; regularity and quality of gaits; straightness			
13.	F	Working canter right lead	Willing, clear transition; regularity and quality of canter; bend and balance in corners			
14.	V	Circle right 15m	Regularity and quality of canter; shape and size of circle; bend; balance			
15.	V-H	Lengthen stride in canter	Willing, clear transition; moderate lengthening of frame and stride; regularity and quality of canter; straightness; consistent tempo	2		
16.	Between H-C	Develop working canter	Willing, clear transition; regularity and quality of canter, bend and balance in corners			
17.	M	Flatwalk	Willing, clear transition; regularity and quality of flatwalk; straightness			
18.	B Before B B	Circle right 20m flatwalk, allowing the horse to stretch forward and downward while maintaining contact Shorten the reins Flatwalk	Forward and downward stretch over the back into a light contact, maintaining balance and quality of trot; bend; shape and size of circle; willing, clear transitions	2		
19.	A X	Down centerline Halt, salute	Bend and balance in turn; regularity and quality of flat walk; willing, clear transition; straightness; attentiveness; immobility (min. 3 seconds)			

Leave arena at A in free walk.

2023 NWAHA GAITED FIRST LEVEL TEST 2

COLLECTIVE MARKS				
GAITS (Freedom and regularity)		1		
IMPULSION (Desire to move forward; elasticity of the steps; suppleness of the back; engagement of the hindquarters)		2		
SUBMISSION (Willing cooperation; harmony; attention and confidence; acceptance of bit and aids; straightness; lightness of forehand and ease of movements)		2		
RIDER'S POSITION AND SEAT (Alignment; posture; stability; weight placement; following mechanics of the gaits)		1		
RIDER'S CORRECT AND EFFECTIVE USE OF AIDS (Clarity; subtlety; independence; accuracy of test)		1		
FURTHER REMARKS:				
To be deducted Errors of the course and omissions are penalized				SUBTOTAL:
				ERRORS: (-)
				TOTAL POINTS: (Max Points: 330)

2023 NWAHA GAITED FIRST LEVEL TEST 2	
Name of Competition	_____
Date of Competition	_____
Name and Number of Horse	_____
Name of Rider	_____
Final Score Maximum Pts: 330	
Points	_____
Percent	_____
Name of Judge	_____
Signature of Judge	_____

Score Sheet effective date: December 1, 2022 - November 30, 2026

2023 NWAH GAITED SECOND LEVEL TEST 1

INTRODUCE

ENTRY NO: _____

Walk-canter transitions; flatwalk, running walk and canter; 10m circle at canter; shoulder-in; rein back

Conditions:

ARENA SIZE: Standard
AVERAGE RIDE TIME: 5:20
(from entry at A to final halt)
Suggested to add at least 2 min. for scheduling purposes

MAXIMUM PTS: 350

PURPOSE

To confirm that the horse demonstrates correct basics, and now begins to accept more weight on the hindquarters as the collected and medium gaits develop. A greater degree of straightness, suppleness, throughness, and balance are required to perform the movements with ease and self-carriage.

READER PLEASE NOTE: Anything in parentheses should not be read.

TEST		DIRECTIVES	POINTS	COEF	TOTAL	REMARKS
1.	A X	Enter flatwalk Halt, salute Proceed flatwalk	Engagement, uphill balance and quality of flatwalk; clear, balanced transitions; straightness; attentiveness; immobility (min. 3 seconds)			
2.	C H-P P	Track left Change rein, running walk Flatwalk	Bend and balance in turns; moderate lengthening of frame and stride with engagement, elasticity, suspension, straightness and uphill balance			
3.	P-F-A-K	(Transitions H and P) Flatwalk	Clear, balanced transitions; consistent tempo; quality of flatwalk			
4.	K-E E	Shoulder-in right Turn right	Angle, bend and balance; engagement and quality of flatwalk	2		
5.	B B-M	Turn left Shoulder-in left	Angle, bend and balance; engagement and quality of flatwalk	2		
6.	C	Halt, rein back 3 to 4 steps Proceed medium walk	Immobility; willing steps back with correct rhythm and count; straightness; clear transitions	2		
7.	C-S	Medium walk	Regularity, quality, overtrack	2		
8.	S-F F	Change rein, free walk Medium walk	Regularity, overtrack, and quality of walks; reach and ground cover of free walk allowing complete freedom to stretch the neck forward and downward; straightness; clear, balanced transitions	2		
9.	A	Collected canter right lead	Clear, balanced straight transition; regularity and quality of canter			
10.	K-S S	Medium canter Collected canter	Moderate lengthening of frame and stride with engagement, elasticity, suspension, straightness and uphill balance; consistent tempo; clear balanced transitions			
11.	C	Circle right 10m	Regularity and quality of canter; shape and size of circle; bend; balance			
12.	M-E E-V	Change rein Counter canter	Regularity, quality and balance of canter; straightness	2		
13.	V K	Flatwalk Medium walk	Regularity and quality of gaits; clear, balanced transitions			
14.	A	Collected canter left lead	Clear, balanced straight transition; regularity and quality of gaits			
15.	F-R R	Medium canter Collected canter	Moderate lengthening of frame and stride with engagement, elasticity, suspension, straightness and uphill balance; consistent tempo; clear balanced transitions			
16.	C	Circle left 10m	Regularity and quality of canter; shape and size of circle; bend; balance			
17.	H-B B-P	Change rein Counter canter	Regularity, quality and balance of canter; straightness	2		
18.	P	Flatwalk	Regularity and quality of gaits; clear, balanced transition			
19.	K-R R	Runningwalk Flatwalk	Moderate lengthening of frame and stride with engagement, elasticity, suspension, straightness and uphill balance			
20.	R-M-C-H-S	(Transitions K and R) Flatwalk	Clear, balanced transitions; consistent tempo			

2023 NWAHA GAITED SECOND LEVEL TEST 1

21.	S I G	Turn left Turn left Halt, salute	Bend and balance in turns; engagement, uphill balance and quality of flatwalk; clear, balanced transition; straightness; attentiveness; immobility (min. 3 seconds)				
Leave arena at A in free walk.							

COLLECTIVE MARKS							
GAITS (Freedom and regularity)				1			
IMPULSION (Desire to move forward; elasticity of the steps; suppleness of the back; engagement of the hindquarters)				2			
SUBMISSION (Willing cooperation; harmony; attention and confidence; acceptance of bit and aids; straightness; lightness of forehand and ease of movements)				2			
RIDER'S POSITION AND SEAT (Alignment; posture; stability; weight placement; following mechanics of the gaits)				1			
RIDER'S CORRECT AND EFFECTIVE USE OF AIDS (Clarity; subtlety; independence; accuracy of test)				1			
FURTHER REMARKS:							
To be deducted Errors of the course and omissions are penalized			1st Time = 2 points 2nd Time = 4 points 3rd Time = Elimination			SUBTOTAL:	
						ERRORS: ()	
						TOTAL POINTS: (Max Points: 350)	

2023 NWAHA GAITED SECOND LEVEL TEST 1	
Name of Competition	_____
Date of Competition	_____
Name and Number of Horse	_____
Name of Rider	_____
Final Score	
Maximum Pts: 350	_____
Points	_____
Percent	_____
Name of Judge	_____
Signature of Judge	_____

Score Sheet effective date: December 1, 2022 - November 30, 2026

Modulpattern Freestyle Dressage

Category	exercise no.	se- quenc	elements	Note, score	weighti ng
compulsory	1		circles in Flatwalk on right and left track, change from one to the other circle		x 2
section I 2 parts	2		dogwalk, ½ side of the arena, with circle (6m)		
	3		3 Serpentine through the arena in Runningwalk		
	4		figure 8 in flatwalk		
	5		Canter on both hands		
	6		Runningwalk, on the diagonal		
	7		change rein in freewalk through the diagonal		
	8		Working Canter, circle (20m), change from one to the other circle with a simple		
	section II 2 parts	9		stop from Flatwalk, Runningwalk or Canter, hold 3 Seconds	
10			turn on forehand right or left at X		
11			turn on haunches right or left		
12			short turn left or right		
13			4 steps back		
14			Leg yielding, reduce and enlarge square		
section III 1 part	15		stop at X and make 3 spins		
	16		Travers or Renvers		
	17		Traversale in one direction, ½ side of the arena		
	18		shoulder in in both directions		
optional part	19		freestyle part 1: (description)		x 2
	20		freestyle part 2: (description)		x 2

Harmony, seating, style and aids Exam structure and overall picture Sum Sum : 11 = final score	
---	--

Freestyle Dressage

General Information:

The primary focus of evaluation is not the horse's performance, but rather the harmony between rider and horse, the style, seat, and aids. The completed test sheet (see attachment) must be submitted with the competition registration.

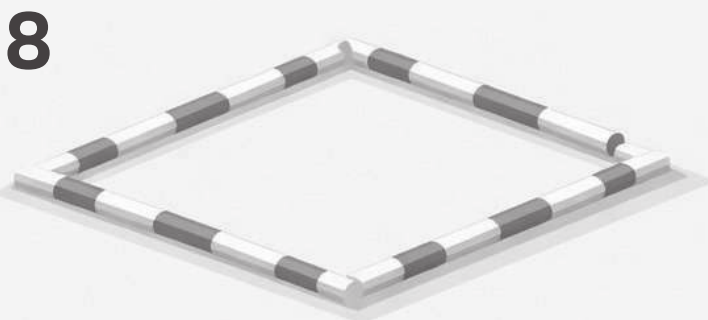
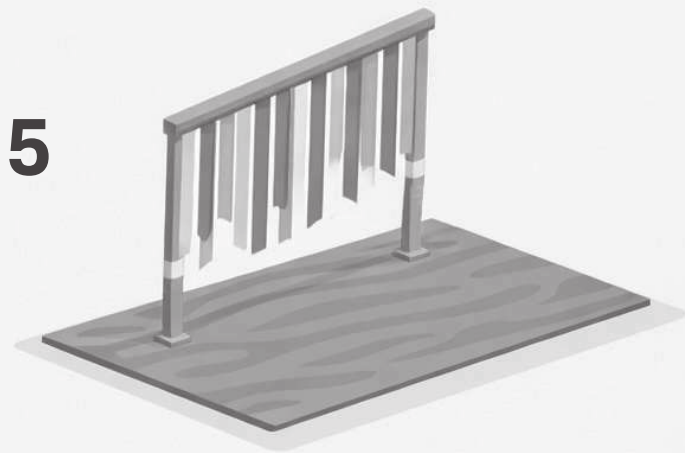
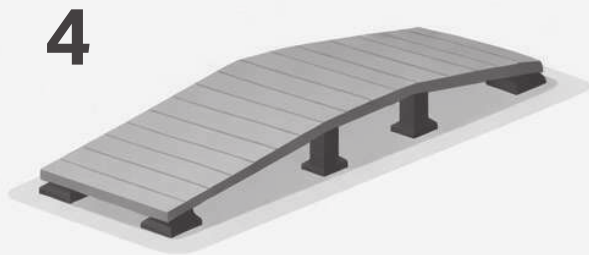
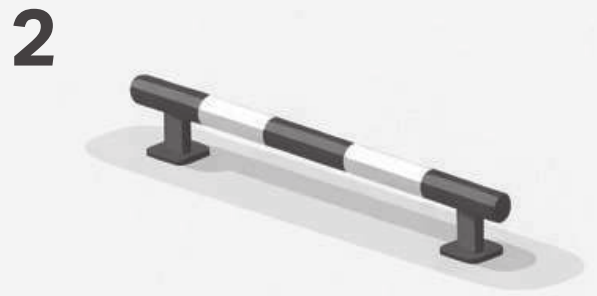
The Task:

The rider must select a total of 8 elements from the following sections (6 compulsory elements and 2 freestyle elements) and present them in the order you have determined.

Number 1 is mandatory for all riders: Flat walk on both circles and changing direction from the circle with a minimum score of 3.0.

Two elements must be selected from Section I, two elements must also be selected from Section II, and one from Section III. Furthermore, the rider must perform two freestyle elements within the framework of the freestyle test. These must be named on the test sheet. Only elements not already performed in the compulsory section may be chosen. The freestyle section may include elements of classical dressage, ridden movements from other riding disciplines, or a maximum of one ridden circus trick. The marks for the exercises in the freestyle section count double and are awarded according to the difficulty and execution of the exercises. The order of all selected elements is optional but must be recorded in advance on the exam sheet (one exercise with its corresponding number per box). All connecting elements for the freestyle routine must also be recorded on the exam sheet. The structure of the test and the overall presentation will be graded. You may submit your own music on CD, USB stick, or Spotify playlist. The test begins and ends with a salute.

Trail pattern EC 2026



No. 17. and 18. Obstacle Trail in Hand and Obstacle Trail

1. Open the rope gate, step backwards between the rods and close the gate at the other gatepost.
2. Ride sideways over the raised pole.
3. Jump or step over the raised pole.
4. Ride onto the bridge, stop approximately in the middle, ride 2-3 steps backwards and then forwards off the bridge.
5. Ride across the tarp through the curtain.
6. Take “?” from the first barrel and bring it to the other.
7. Turn the umbrella around 360°.
8. Ride into the square, turn 360°, dismount and let your horse stand still, then walk once around the square.



WDAA 2022 WESTERN DRESSAGE INTRODUCTORY LEVEL TEST 3
 WESTERN DRESSAGE ASSOCIATION® OF AMERICA

PURPOSE
Tests provide an introduction to the discipline of Western Dressage; the horse performs only at the walk and jog. The rider should demonstrate correct basic position, use of basic aids, and understanding of the figures. The horse should show relaxation; harmony between horse and rider is important. The horse accepts the aids and influence of the rider. The jog should be a natural gait within the horse's scope and should demonstrate a swinging back.

NEW REQUIREMENTS
Change rein at working jog
Free walk on 20 meter half circle

ENTRY NO:	
ARENA SIZE:	Small (40m x 20m) or Large (60m x 20m)
AVERAGE RIDE TIME:	4:00 (Small) or 5:00 (Large)
MAXIMUM PTS:	200

All jog work may be ridden sitting or rising.

*COEFFICIENT

		TEST	DIRECTIVES	POINTS	*	TOTAL	REMARKS
1	A X	Enter working jog Halt through working walk, salute Develop working jog through the walk Proceed working jog	Straightness; regularity and quality of the jog and walk; straight, balanced, immobile halt with smooth transitions.				
2	C H - X - F	Track left, working jog Change rein, working jog	Balance and bend in the turn and corners; straightness on the diagonal; regularity and quality of the jog.				
3	A	Circle right 20 meters, working jog	Size and shape of circle with inside bend; regularity and quality of the jog; straightness; balance and bend in the corner.				
4	K - X - M	Change rein, working jog	Straightness on diagonal; regularity and quality of the jog; balance and bend in corner.		2		
5	C	Circle left 20 meters, working jog	Size and shape of circle with inside bend; regularity and quality of the jog; straightness; balance and bend in the corner.				
6	Between C & H	Develop working walk	Willing, smooth transition; balance and bend in the corner; regularity and quality of the walk.				
7	E - B B	Half circle left 20m, free walk Working walk	Horse willing to freely stretch the neck forward and down; relaxation; swing through the back; ground cover; straightness; willing, smooth transition; regularity and quality of the walks.		2		
8	M	Halt 4 seconds, proceed working walk	Balance in transition to square, straight halt; immobility; willing, smooth transitions; regularity and quality of the walk; balance and bend in the corner.		2		
9	Between C & H	Develop working jog	Willing, smooth transition; balance and bend in the corner; straightness; regularity and quality of the jog.				
10	E - F	Change rein, working jog	Straightness on diagonal; balance and bend in the corner, regularity and quality of the jog.				
11	A X	Down centerline Halt through the walk, salute	Balance and bend in the turn; straightness; regularity and quality of the jog and walk; balance in downward transition to square, straight halt, immobility.				

Leave arena at A in a walk with looped or long reins.



WDAA 2022 WESTERN DRESSAGE INTRODUCTORY LEVEL TEST 3
WESTERN DRESSAGE ASSOCIATION® OF AMERICA

*COEFFICIENT

COLLECTIVE MARKS	POINTS	*	TOTAL	REMARKS
GAITS: freedom and regularity		1		
IMPULSION: desire to move forward with suppleness of the back and steady tempo		1		
RIDER'S POSITION, SEAT AND HANDS: well-balanced elastic seat demonstrating vertical, centered alignment, with light independent contact from hand(s)		1		
RIDER'S CORRECT AND EFFECTIVE USE OF THE AIDS: evidenced by the horse's responsiveness; steady elastic connection cultivating athletic expression. Accuracy - precise placement of the figures and transitions, the effectiveness of the rider's aids determines the accurate fulfillment of the required movements of the tests		1		
HARMONY: The horse accepts the aids and influence of the rider with attention, relaxation and confidence; willing partnership between horse and rider resulting in a free-flowing performance		2		
SUBTOTAL:	total of points and coefficients above			
ERRORS:	subtract from subtotal			
TOTAL POINTS:	subtotal minus any errors			
REMARKS:				

Attention competitors submitting points to WDAA for the Horse Lifetime Points & Awards Program: Only the bottom portion below needs to be submitted along with the Test/Rail Submission Form to verify your points. Please go to www.westerndressageassociation.org for more information.

WDAA 2022 INTRODUCTORY LEVEL TEST 3

Name of Competition

Date of Competition

Name and Number of Horse

Name of Rider

Final Score
Maximum Points: 200

Points / Percent

Name of Judge

Signature of Judge



WDAA 2022 WESTERN DRESSAGE LEVEL 1 TEST 2

WESTERN DRESSAGE ASSOCIATION® OF AMERICA

PURPOSE
Tests confirm that the horse is building on the elements from lower levels and is developing more engagement to show sufficient impulsion as the lengthened jog and lope are performed. The horse demonstrates a more consistent, light contact with the bit. These tests introduce some collection, lateral and longitudinal balance, suppleness and emphasize harmony and ride-ability.

NEW REQUIREMENTS
Half turn on the forehand
Leg yield from centerline

ENTRY NO:	
ARENA SIZE: Large (60m x 20m)	
AVERAGE RIDE TIME: 5:30 (Large)	
MAXIMUM PTS:	270

All jog work may be ridden sitting or rising

*COEFFICIENT

		TEST	DIRECTIVES	POINTS	*	TOTAL	REMARKS
1	A	Enter working jog	Straightness; balanced, square, immobile halt with prompt, smooth jog transitions; regularity and quality of the jog.				
	X	Halt, salute Proceed working jog					
2	C	Track right, working jog	Balance and bend in the turn; straightness; balance and inside bend on the half circle; regularity and quality of the jog.				
	P - L	Half circle right 10m, working jog					
3	L - S	Leg yield left	Alignment, fluidity, and crossing of legs in leg yield; regularity and quality of jog.		2		
4	H	Working lope, right lead	Willing, smooth transition; balance and bend in the corner; regularity and quality of the lope.				
5	C	Circle right 15m, working lope	Size and shape of circle with inside bend; balance and bend in corner; regularity and quality of the lope.		2		
6	P	Working jog	Willing, smooth transitions; balance and bend in the corners; regularity and quality of the jog and walk.				
	A	Working walk					
7	K	Halt 2-3 seconds, half turn on the forehand left (haunches right); Proceed working walk	Square, straight halt; immobility; willing movement of the haunches around the front legs with consistent tempo and inside flexion; smooth transitions; balance and bend in the corner; regularity and quality of the walk.				
8	A	Halt 2-3 seconds, half turn on the forehand right (haunches left); Proceed working walk	Square, straight halt; immobility; willing movement of the haunches around the front legs with consistent tempo and inside flexion; smooth transitions; balance and bend in the corner; regularity and quality of the walk.				
9	K - X - M	Free walk	Horse willing to freely stretch the neck forward and down; relaxation; swing through the back; ground cover; straightness; willing, smooth transition; regularity and quality of the walks.		2		
	M	Working walk					
10	C	Working jog	Straightness; bend and balance in corner; balance and inside bend on the half circle; regularity and quality of the jog.				
	V - L	Half circle left 10m, working jog					
11	L - R	Leg yield right	Alignment, fluidity, and crossing of legs in leg yield; regularity and quality of jog.		2		
12	M	Working lope left lead	Willing, smooth transition; balance and bend in the corner; regularity and quality of the lope.				
13	C	Circle left 15m working lope	Size and shape of circle with inside bend; balance and bend in corner; regularity and quality of the lope.		2		
14	V	Working jog	Willing, smooth transitions; balance and bend in the corner and turn; straightness; regularity and quality of the jog.				
	A	Down centerline					
15	X	Halt, rein back 4-6 steps Proceed working jog	Square, immobile halt; willing, straight, back with diagonal pairs; willing, smooth transitions; regularity and quality of the jog.				
16	G	Halt, salute	Balance in downward transition to square, straight halt; immobility.				

Leave arena at A in a walk with looped or long reins.



WDAA 2022 WESTERN DRESSAGE LEVEL 1 TEST 2

WESTERN DRESSAGE ASSOCIATION® OF AMERICA

*COEFFICIENT

COLLECTIVE MARKS	POINTS	*	TOTAL	REMARKS
GAITS: freedom and regularity; elasticity of the steps.		1		
IMPULSION: engagement - transmission of an eager and energetic, yet controlled positive forward energy generated from the hindquarters into the athletic movement of the horse; suppleness of the back.		1		
RIDER'S POSITION, SEAT AND HANDS: well-balanced elastic seat demonstrating vertical, centered alignment, with light independent contact from hand(s)		1		
RIDER'S CORRECT AND EFFECTIVE USE OF THE AIDS: evidenced by the horse's responsiveness; steady elastic connection cultivating athletic expression. Accuracy - precise placement of the figures and transitions, the effectiveness of the rider's aids determines the accurate fulfillment of the required movements of the tests		1		
HARMONY: The horse accepts the aids and influence of the rider with attention, relaxation and confidence; and demonstrates a willing partnership between horse and rider resulting in a free-flowing performance.		2		
SUBTOTAL:	total of points and coefficients above			
ERRORS:	subtract from subtotal			
TOTAL POINTS:	subtotal minus any errors			
REMARKS:				

Attention competitors submitting points to WDAA for the Horse Lifetime Points & Awards Program: Only this bottom portion needs to be submitted along with the Test/Rail Submission Form to verify your points. Please go to www.westerndressageassociation.org for more information.

WDAA 2022 LEVEL 1 TEST 2

Name of Competition

Date of Competition

Name and Number of Horse

Name of Rider

Final Score
Maximum Points: 270

Points / Percent

Name of Judge

Signature of Judge

Reining Pattern #6:

The area or plot should be approximately 50 by 150 feet in size. The judge will indicate with markers on arena fence or wall the length of the pattern. Markers within the area of the pattern will not be used. Ride pattern as follows: Beginning at the center of the established pattern area facing the left wall or fence:

1. Beginning on the right lead, complete 3 circles to the right: the first circle small and slow; the next 2 circles large and fast.

Change leads at the center of the established pattern area.

2. Complete 3 circles to the left: the 1st circle small and slow; the next 2 circles large and fast. Change leads at the center of the established pattern area.

3. Run up the middle to the far end of the established pattern area past the end marker and do a left rollback – no hesitation.

4. Run to the opposite end of the established pattern area past the end marker and do a right rollback – no hesitation.

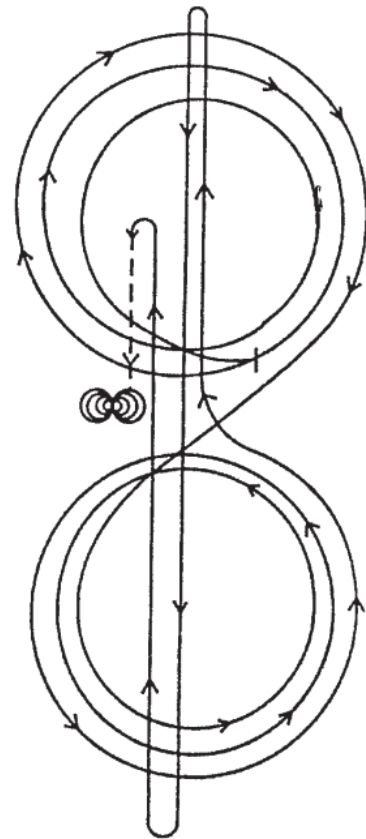
5. Run past the center marker and do a sliding stop. Back up at least 10 feet. Hesitate.

6. Complete 4 spins to the right.

7. Complete 4 spins to the left. Hesitate to demonstrate the completion of the pattern.

8. Exhibitor may drop bridle to the judge.

Reining Pattern #6:



Reining-Parcours Nr. 6:

Die Parcoursfläche sollte etwa 15 x 45 Meter groß sein. Der Richter markiert die Länge des Parcours mit Markierungen an der Arenawand. Markierungen innerhalb des Parcours werden nicht verwendet. Reiten Sie den Parcours wie folgt:

Starten Sie in der Mitte des markierten Parcours, mit Blick zur linken Wand:

1. Reiten Sie im Rechtsgalopp drei Zirkel nach rechts: den ersten Zirkel klein und langsam, die nächsten beiden groß und schnell. Wechseln Sie den Galopp in der Mitte des markierten Parcours.

2. Reiten Sie drei Zirkel nach links: den ersten Zirkel klein und langsam, die nächsten beiden groß und schnell. Wechseln Sie den Galopp in der Mitte des markierten Parcours.

3. Reiten Sie in der Mitte des markierten Parcours bis zum gegenüberliegenden Ende und führen Sie einen Rollback nach links aus – ohne an zu halten.

4. Reiten Sie bis zum gegenüberliegenden Ende des markierten Parcours und führen Sie einen Rollback nach rechts aus – ohne an zu halten.

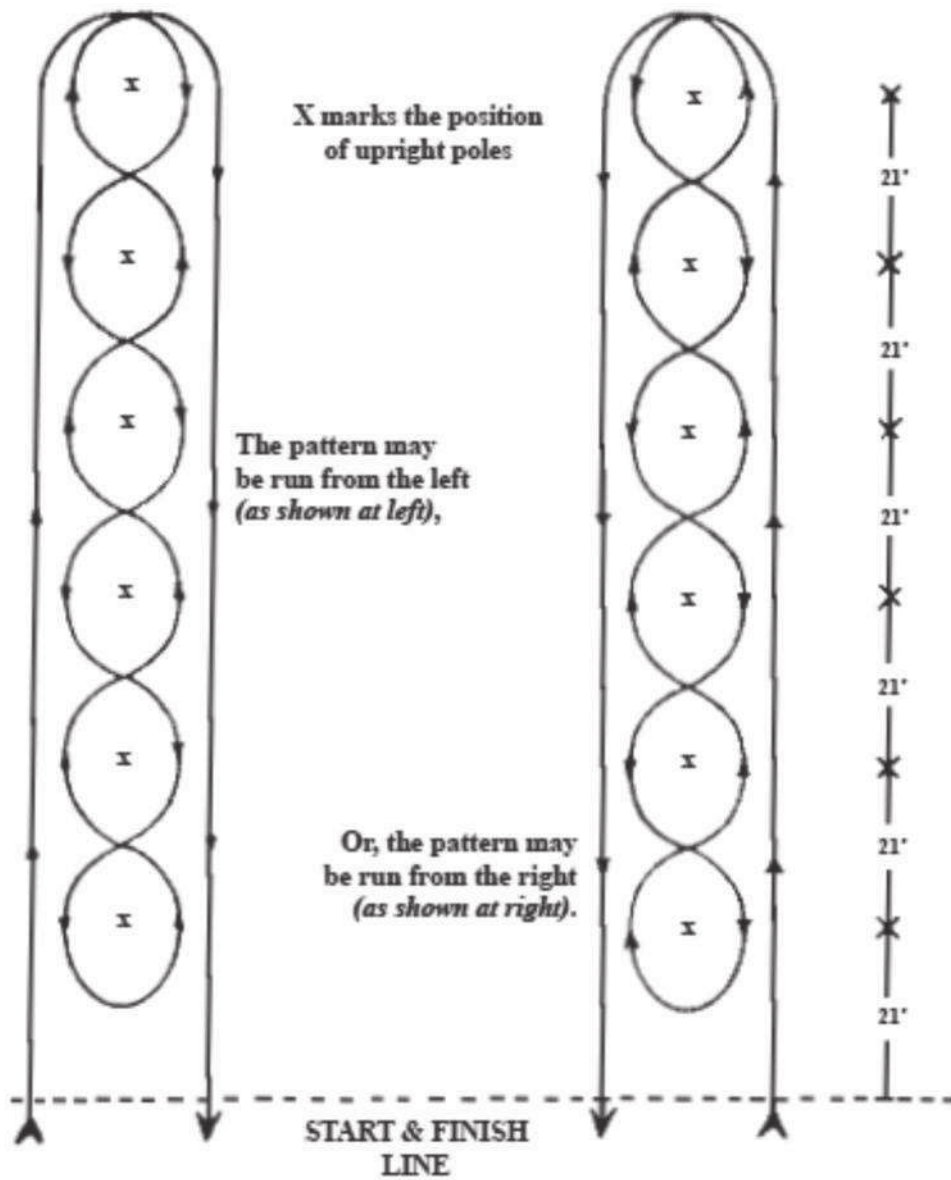
5. Reiten Sie an der Mittelmarkierung vorbei und führen einen sliding stop aus, dann 3 Meter Rückwärtsrichten. Kurz innehalten.

6. Führe vier Spins nach rechts aus.

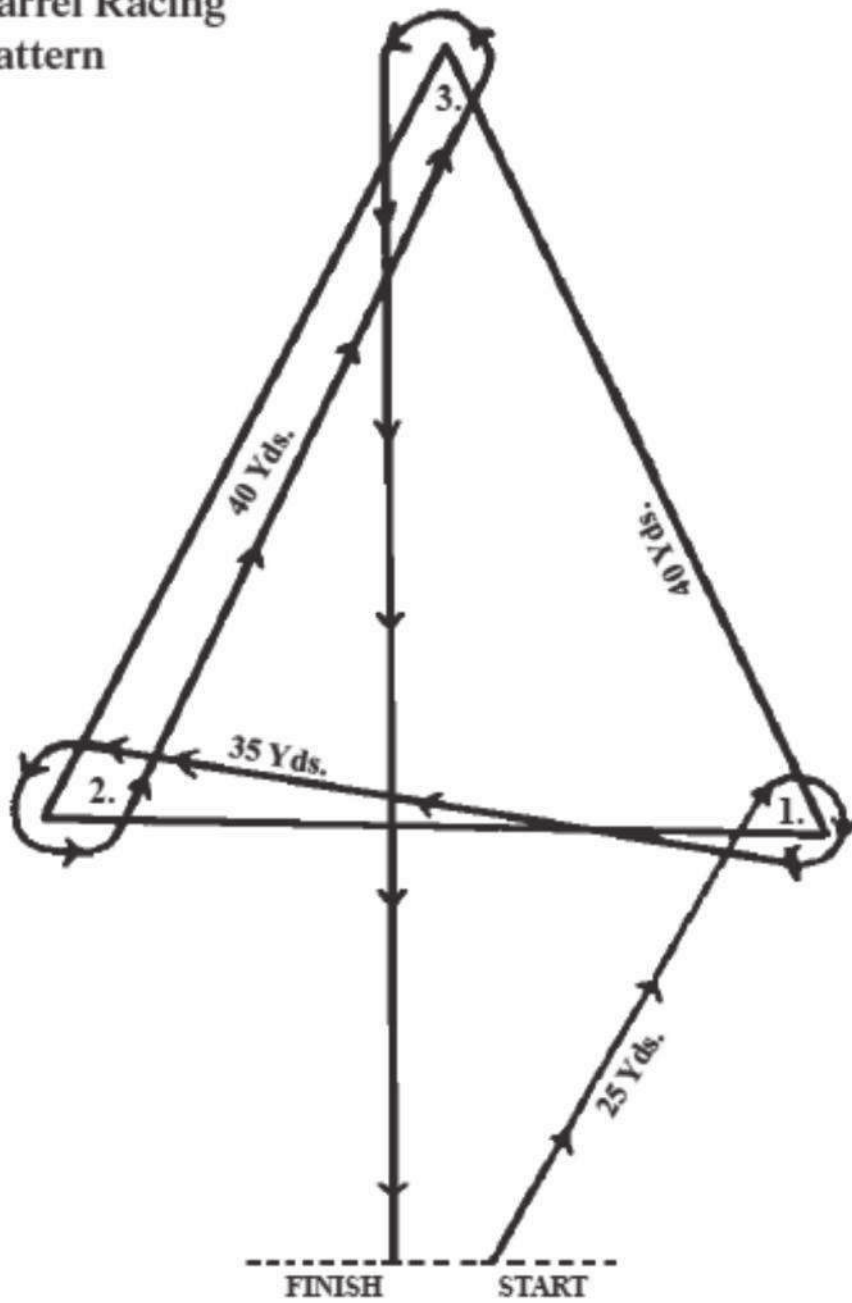
7. Führe vier Spins nach links aus. Kurz innehalten, um den Abschluss der Aufgabe zu demonstrieren.

8. Der Reiter darf dem/der Richter/in auf Wunsch die Trense übergeben.

Pole Bending Pattern



Barrel Racing Pattern



TWH OVER FENCES PATTERN #3

